



Profit from the Eagle Advantage®

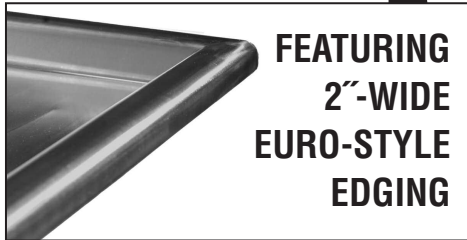
Specification Sheet

Short Form Specifications

Eagle Three-Compartment Sink, model _____, with 2"-wide "Euro-Style" edging on front and sides. Units constructed of heavy gauge type 304 stainless steel top and sink bowls. Sinks to be deep-drawn, seamless, and have all corners covered. Drainboards, when required, shall be "V" creased for positive drainage. 9½" high backsplash with 1" upturn and tile edge. Legs to be 1½" O.D. galvanized tubing with front-to-back crossbracing, and 1" high impact plastic adjustable bullet feet.



three-compartment sink with double drainboards (faucet not included)



**FEATURING
2"-WIDE
EURO-STYLE
EDGING**

Options / Accessories

- Stainless steel legs
- Stainless steel bullet feet
- Lever drains
- Twist handle drains
- Twist drain brackets
- Faucets
- Sink covers
- Waste outlets
- Sink kits
- Overflow hole

EAGLE GROUP
100 Industrial Boulevard, Clayton, DE 19938-8903 USA
Phone: 302-653-3000 • Fax: 302-653-2065
www.eaglegrp.com

Foodservice Division: Phone 800-441-8440
MHC/Retail Display Divisions: Phone 800-637-5100

For custom configuration or fabrication needs, contact our **SpecFAB®** Division.
Phone: 302-653-3000 • Fax: 302-653-3091 • e-mail: specfab@eaglegrp.com

Spec sheets available for viewing, printing or downloading from our online literature library at www.eaglegrp.com

Eagle Foodservice Equipment, Eagle MHC, SpecFAB®, and Retail Display are divisions of Eagle Group. ©2012 by the Eagle Group

Item No.: _____
 Project No.: _____
 S.I.S. No.: _____

314 Series Coved Corner Three-Compartment Sinks

MODELS:

- 314-16-3
- 314-16-3-18
- 314-16-3-18L
- 314-16-3-18R
- 314-16-3-24
- 314-16-3-24L
- 314-16-3-24R
- 314-18-3
- 314-18-3-18
- 314-18-3-18L
- 314-18-3-18R
- 314-18-3-24
- 314-18-3-24L
- 314-18-3-24R
- 314-22-3
- 314-22-3-18
- 314-22-3-18L
- 314-22-3-18R
- 314-22-3-24
- 314-22-3-24L
- 314-22-3-24R
- 314-24-3
- 314-24-3-18
- 314-24-3-18L
- 314-24-3-18R
- 314-24-3-24
- 314-24-3-24L
- 314-24-3-24R

Materials

- Sink bowls: Heavy gauge type 304 stainless steel.
- Top: Drainboards, backsplash and euro-style edging are heavy gauge type 304 stainless steel.
- Legs: 1½" (41mm)-diameter heavy-gauge galvanized tubing with plated 12-gauge gussets and high-impact corrosion resistant fully adjustable bullet feet. Crossbracing is 1" (25mm)-diameter heavy-gauge galvanized tubing.

Design and Construction Features

- All bowls have deep-drawn one-piece seamless construction, using state-of-the-art hydraulic presses.
- Sink bowls have generous radius with minimum dimension of 3" (76mm) and are rectangular for maximum capacity.
- New 20" x 16" (508 x 406mm) bowl design, with enhanced polishing techniques.
- 13½" (343mm) water level is standard.
- Swirl-away drainage.
- Leg gusset assemblies welded adjacent to sink bowl for maximum weight support and stability.
- 9½" (241mm) standard backsplash includes 1" (25mm) upturn and tile edge for easy installation and feathering to wall/splash surface.
- "V" creased drainboards for positive drainage.

Mechanical:

- Water supply is ½" (13mm) IPS for hot and cold lines.
- Faucet holes are 1½" (29mm) punched on 8" (203mm) centers; two sets of faucet holes are punched where indicated on chart (back page).
- Basket-type waste drain included fits sink bowls' 3½" (89mm) opening and features 1½" (38mm) outlet.

Certifications / Approvals



AUTOQUOTES



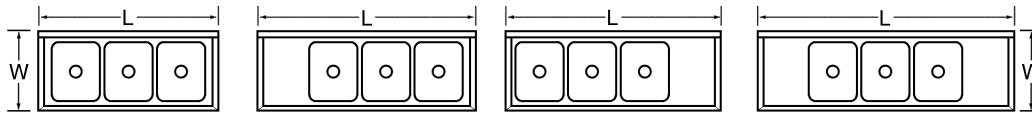
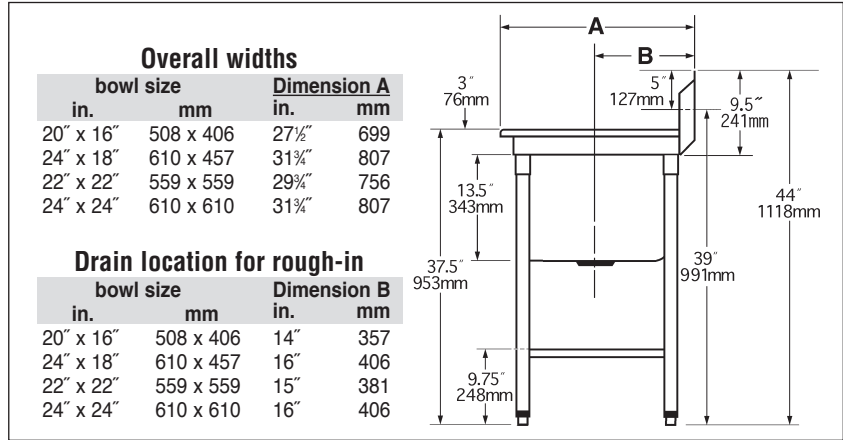
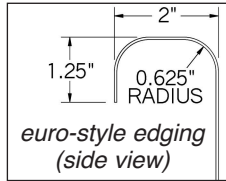
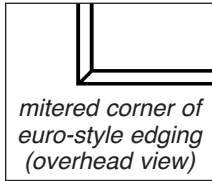
EG20.29 Rev. 10/12



Profit from the Eagle Advantage®

Item No.: _____
 Project No.: _____
 S.I.S. No.: _____

314 Series Coved Corner Three-Compartment Sinks



model #	BOWL DIMENSIONS				quantity	DRAINBOARD length		OVERALL DIMENSIONS				weight	
	width in.	width mm	length in.	length mm		in.	mm	width in.	width mm	length in.	length mm	lbs.	kg
314-16-3	20"	508	16"	406	0	-	27½"	699	58¾"	1492	85	38.6	
314-16-3-18R or L	20"	508	16"	406	1	18"	457	27½"	699	74¾"	1889	104	47.2
314-16-3-18	20"	508	16"	406	2	18"	457	27½"	699	90"	2286	123	55.8
314-16-3-24R or L	20"	508	16"	406	1	24"	610	27½"	699	80¾"	2042	110	49.9
314-16-3-24	20"	508	16"	406	2	24"	610	27½"	699	102"	2591	135	61.2
314-18-3*	24"	610	18"	457	0	-	31¼"	807	65½"	1664	114	51.7	
314-18-3-18R or L*	24"	610	18"	457	1	18"	457	31¼"	807	80¾"	2051	133	60.3
314-18-3-18*	24"	610	18"	457	2	18"	457	31¼"	807	96"	2438	152	68.9
314-18-3-24R or L*	24"	610	18"	457	1	24"	610	31¼"	807	86¾"	2203	139	63.1
314-18-3-24*	24"	610	18"	457	2	24"	610	31¼"	807	108"	2743	164	74.4
314-22-3*	22"	559	22"	559	0	-	29¾"	756	77½"	1969	120	54.4	
314-22-3-18R or L*	22"	559	22"	559	1	18"	457	29¾"	756	93"	2362	139	63.1
314-22-3-18*	22"	559	22"	559	2	18"	457	29¾"	756	108½"	2756	158	71.6
314-22-3-24R or L*	22"	559	22"	559	1	24"	610	29¾"	756	99"	2515	145	65.8
314-22-3-24*	22"	559	22"	559	2	24"	610	29¾"	756	120½"	3061	170	77.1
314-24-3*	24"	610	24"	610	0	-	31¼"	807	83½"	2121	125	56.7	
314-24-3-18R or L*	24"	610	24"	610	1	18"	457	31¼"	807	98¾"	2508	144	65.3
314-24-3-18*	24"	610	24"	610	2	18"	457	31¼"	807	114"	2896	163	73.9
314-24-3-24R or L*	24"	610	24"	610	1	24"	610	31¼"	807	104¾"	2661	150	68.0
314-24-3-24*	24"	610	24"	610	2	24"	610	31¼"	807	126"	3200	175	79.4

* Features two sets of faucet holes.

EAGLE GROUP
 100 Industrial Boulevard, Clayton, DE 19938-8903 USA
 Phone: 302-653-3000 • Fax: 302-653-2065
 www.eaglegrp.com

Foodservice Division: Phone 800-441-8440
 MHC/Retail Display Divisions: Phone 800-637-5100

Printed in U.S.A.
 ©2012 by Eagle Group

Rev. 10/12

Spec sheets available for viewing, printing or downloading from our online literature library at www.eaglegrp.com

Although every attempt has been made to ensure the accuracy of the information provided, we cannot be held responsible for typographical or printing errors. Information and specifications are subject to change without notice. Please confirm at time of order.